

Agri Max



45.8



70.10

PERFORMANCE

	45.8	70.10
Maximum capacity (kg)	4.500	7.000
Maximum lifting height (m)	7,90	9,65
Maximum horizontal outreach (m)	4,45	5,40
Outreach at maximum height (m)	0,30	0,70
Fork swivelling angle	134°	134°
Pull-out force (daN)	5.700	5.700
Towing force (daN)	7.300	7.300
Maximum climb angle	40%	40%
Total weight empty (kg)	8.800	11.400
Max speed (km/h)	30	30

(On request 40 Km/h)

BOOM**Times: empty / with speed supplement (in seconds)**

	45.8	70.10
Lifting	15,5 / 11,3	20,7 / 15,1
Descent	10,6 / 7,7	13,6 / 9,9
Extension	8,1 / 5,9	14,2 / 10,4
Retraction	4,5 / 3,3	5,6 / 4,1
Forward swivelling	3,9 / 2,8	6,4 / 4,6
Reverse swivelling	2,4 / 1,8	2,8 / 2,0

Patented compensation system

ENGINE

Iveco NEF 74 Kw

Iveco NEF 93 Kw

	Iveco NEF 74 Kw	Iveco NEF 93 Kw
Model:	Iveco NEF	Iveco NEF
Maximum power kW (hp):	74 (101)	93 (127)
Revolutions per minute (rpm):	2200	2200
Operation:	4 stroke diesel	
Injection:	Direct mechanical	
Number and arrangement of cylinders:	4, vertical in line	
Engine size (cm3):	4485	4485
Specific consumption at 2200 rpm (g/kWh):	230	230

Aftercooler Turbo compressor

Liquid cooling system

HYDRAULIC PLANT (*= with additional device)

Gear pump with capacity at max. speed (lt/1'):	110/150*
Max operational pressure (bar):	230
Distributor control with joystick:	3 in 1

DIFFERENTIAL AXLES

Steering axles: 2, with planetary reduction gears
Steering types: 4 wheels / transversal / 2 wheels
Front axle: rigid (levelling upon request)
Back axle: oscillating
Oil bath service braking on the 4 wheels with double hydraulic plant and servo brake
Negative action parking brake

REFUELLING (Litres)

	45.8	70.10
Hydraulic plant (total)	155	160
Fuel tank	105	105

OPTIONALS AND ACCESSORIES

A/C; Digital speedometer; Water Heater; Driver's seat with pneumatic suspension; Light on boom head; Quick coupling for accessories; Radio; Anti-theft system; Glass protection.

(For additional customizations, contact the area dealer)

TRANSMISSION

Hydrostatic transmission with variable displacement pump.
Hydrostatic engine with automatic variation.
Electrical - hydraulic inversion.
Inching pedal for controlled advancement.
Servocontrolled 2-speed gearbox.

DEVICES AS PER STANDARD

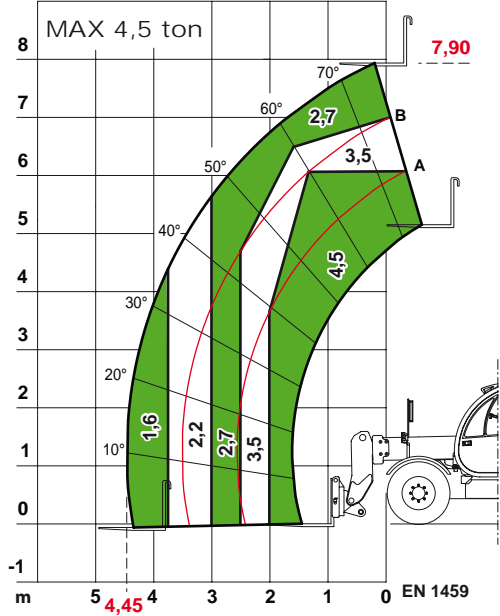
Anti-tipping device with peyorative movement block.
Hydraulic socket for any accessories on the boom head.
Soundproof closed cab, ROPS-FOPS approved, with heater.
Self-blocking front axle differential (limited slip 45%).
Electric window winder.

TYPE-APPROVAL

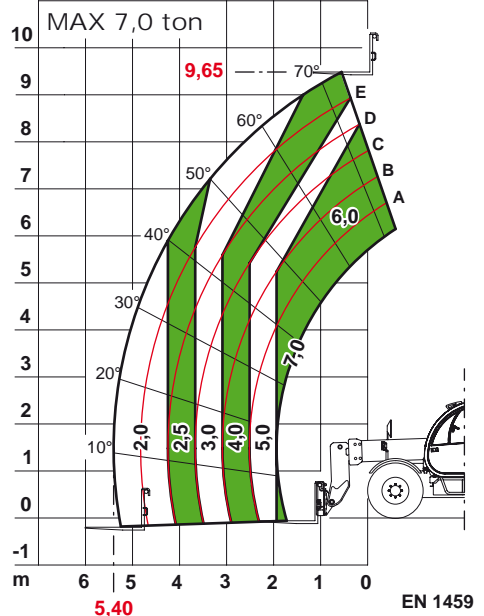
Type-approval as a driving agricultural machine.
Machine is not suitable for towing trailers on public roads and roads for public use.

TYRES

	45.8	70.10
Tyres	405/70x20"	18/22.5"
Alternative	405/70x24"	/



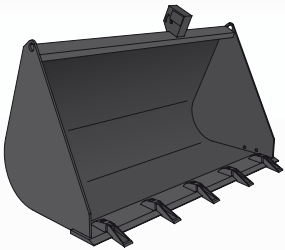
Agri Max 45.8



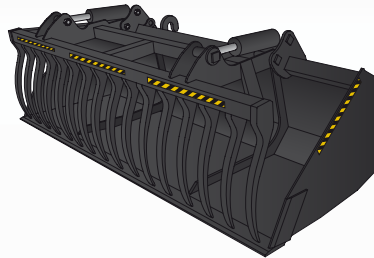
Agri Max 70.10

Accessories and Attachments specific for any need

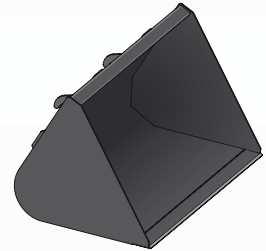
Bucket with teeth



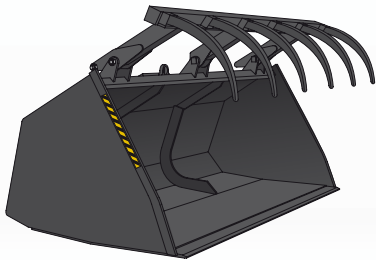
Bucket for silage



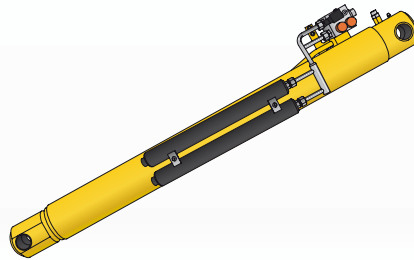
Bucket for light materials



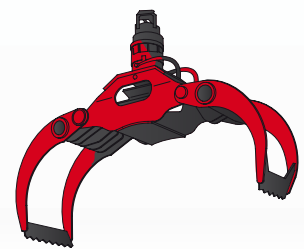
Bucket with holder



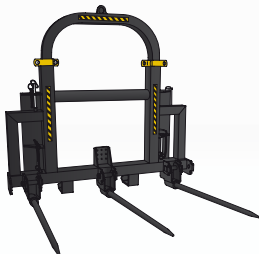
Boom suspension



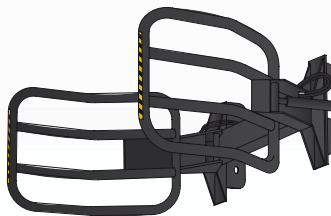
Clamp for logs



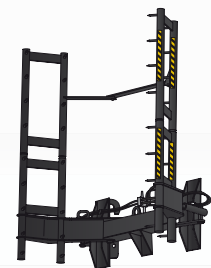
Fork with three jointed prongs



Clamp for big wrapped bales



Clamp for two roll bales



This is only a part of the many accessories and various equipment available for Dieci machines.
For information about the entire range of accessories **CONTACT US** using contact information contained on the rear of the document

DIMENSIONS

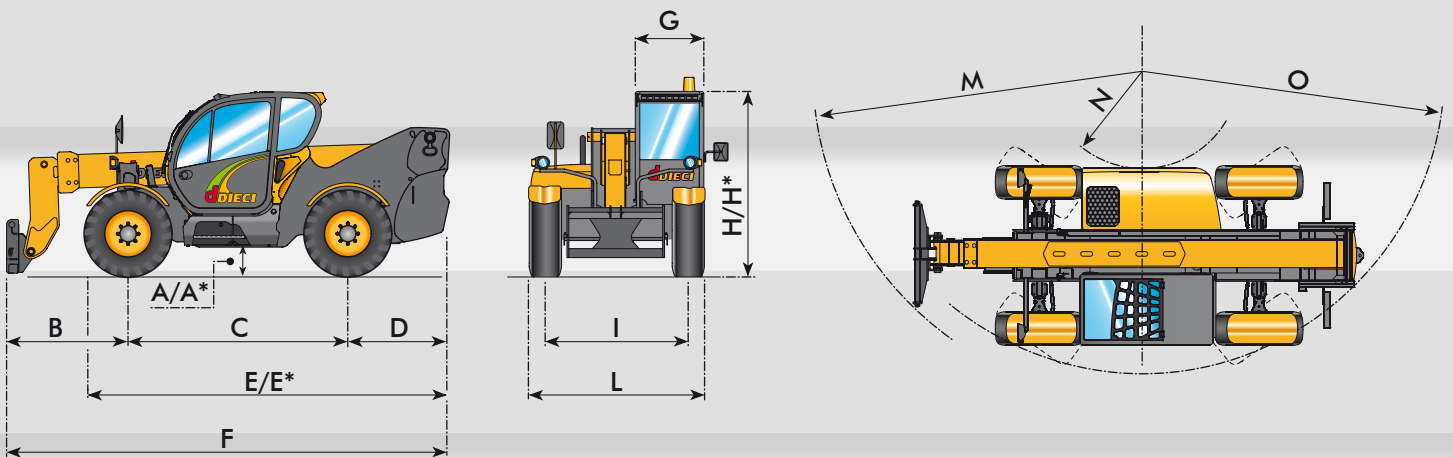
45.8

70.10

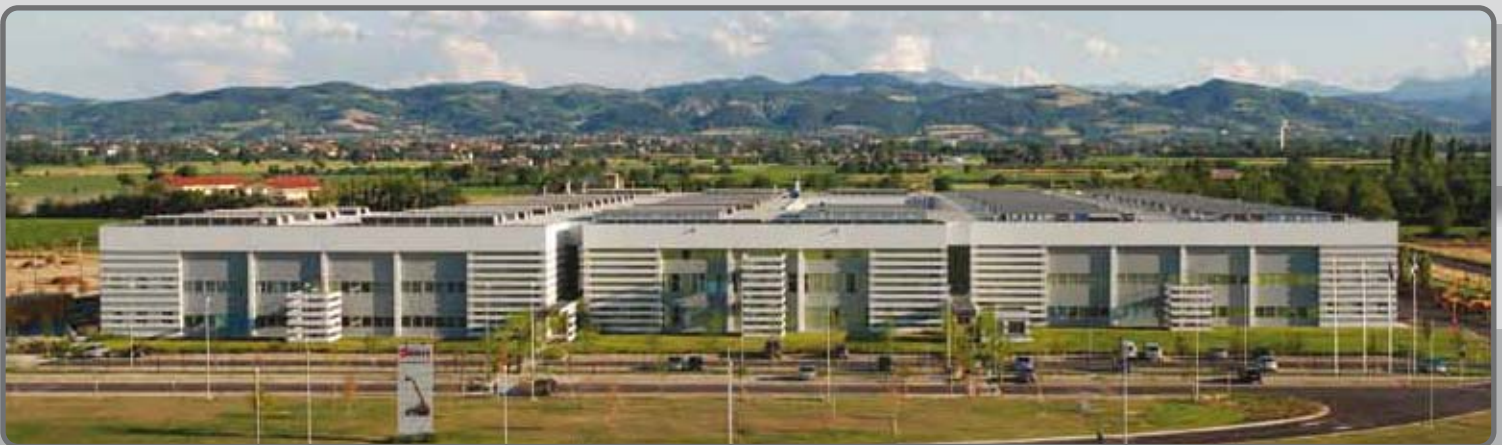
A/A*	440/480*	440
B	1480	1630
C	2600	2950
D	860	1330
E/E*	4000/4050*	4820
F	4940	5910
G	940	940
H/H*	2460/2500*	2490
I	1910	1920
L	2310	2380
M	4080	4730
N	1260	1700
O	3920	4400

Measurements expressed in millimetres

A* - E* - H* = Measurements referring to optional wheels



A* - E* - H* = Measurements referring to optional wheels



macchine edili ed agricole
d DIECI

Via E. Majorana, 2-4 42027 Montecchio Emilia (RE) ITALY

Tel. +39 0522 869611 Fax +39 0522 869791 (comm. le Estero) Fax +39 0522 869604 (comm.le Italia)

www.dieci.com - E-mail: info@dieci.com