

Apollo



25.6

PERFORMANCE

25.6

Maximum capacity (kg)	2.500
Maximum lifting height (m)	5,78
Maximum horizontal outreach (m)	3,25
Outreach at maximum height (m)	0,67
Fork swivelling angle	129°
Pull-out force (daN)	5.700
Towing force (daN)	4.400
Maximum climb angle	40%
Total weight empty (kg)	4.800
Max speed (km/h)	26 *

* = 18" tyres

ENGINE

Yanmar
50.7 KwYanmar
62.5 Kw

Model:	YANMAR	YANMAR
Maximum power kW (hp):	50,7 (69)	62,5 (85)
Revolutions per minute (rpm):	2500	2500
Operation:	4 stroke diesel	
Injection:	Electronic direct	
Number and arrangement of cylinders:	4, vertical in line	
Engine size (cm3):	3319	3319
Specific consumption at 2500 rpm (g/kWh):	248	254

Natural Intake

Turbo compressor

Liquid cooling system

BOOM

25.6

Times: (in seconds)

Lifting	7,8
Descent	4,1
Extension	6,1
Retraction	3,4
Forward swivelling	3,5
Reverse swivelling	2,2

Patented compensation system

DEVICES AS PER STANDARD

Anti-tipping device with peyorative movement block.

Hydraulic socket for any accessories on the boom head.

Soundproof closed cab, ROPS-FOPS approved, with heater.

Self-blocking front axle differential (limited slip 45%).

HYDRAULIC PLANT

Gear pump with capacity at max. speed (lt/1'):	80
Max operational pressure (bar):	230
Distributor control with joystick:	3 in 1

OPTIONALS AND ACCESSORIES

A/C; Webasto Heater; Digital speedometer; Water Heater; Driver's seat with pneumatic suspension; Light on boom head; Quick coupling for accessories; Radio; Anti-theft system; Glass protection.

(For additional customizations, contact the area dealer)

DIFFERENTIAL AXLES

Steering axles: 2, with planetary reduction gears

Steering types: 4 wheels / transversal / 2 wheels

Front axle: rigid

Back axle: oscillating

Oil bath service braking on the front axle

Negative action parking brake.

TRANSMISSION

Hydrostatic transmission with variable displacement pump.

Hydrostatic engine with automatic variation.

Electrical - hydraulic inversion.

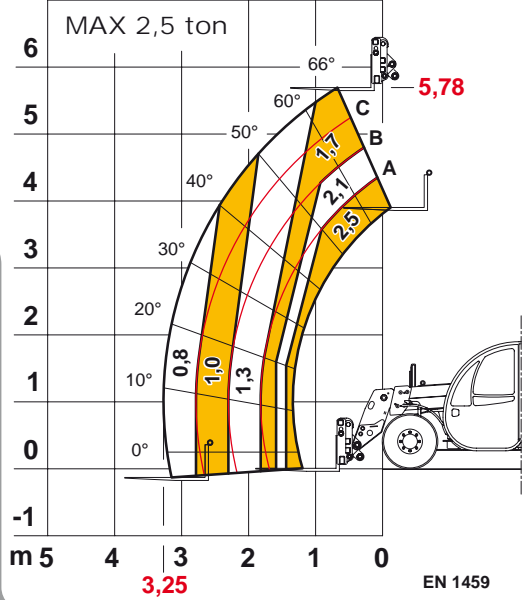
Inching pedal for controlled advancement.

REFUELLING (Litres)

Hydraulic plant (total)	70
Fuel tank	80

TYRES

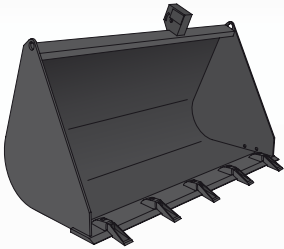
Tyres	12 - 16.5"
Alternative	12.0/75 - 18"



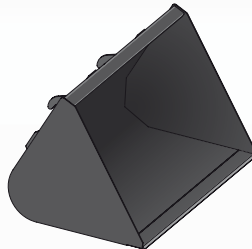
Apollo 25.6

Accessories and Attachments specific for any need

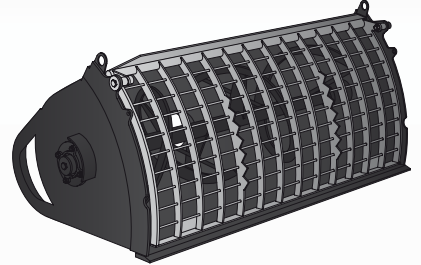
Bucket with teeth



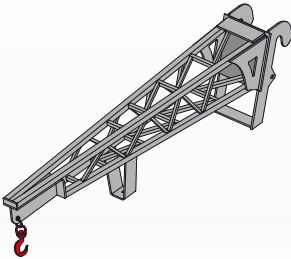
Bucket for light materials



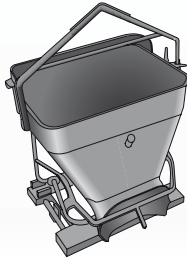
Mixing bucket



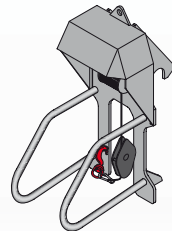
Jib crane extension



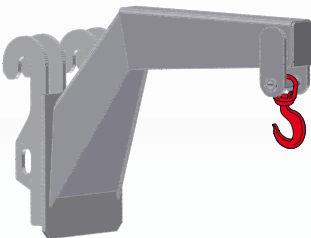
Ladle



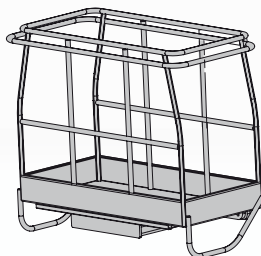
Winch



Swan neck jib

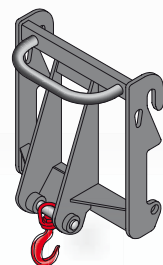


Aluminium man basket



Without the
requirement for full
tyres or outriggers

Hook



This is only a part of the many accessories and various equipment available for Dieci machines.
For information about the entire range of accessories **CONTACT US** using contact information contained on the rear of the document

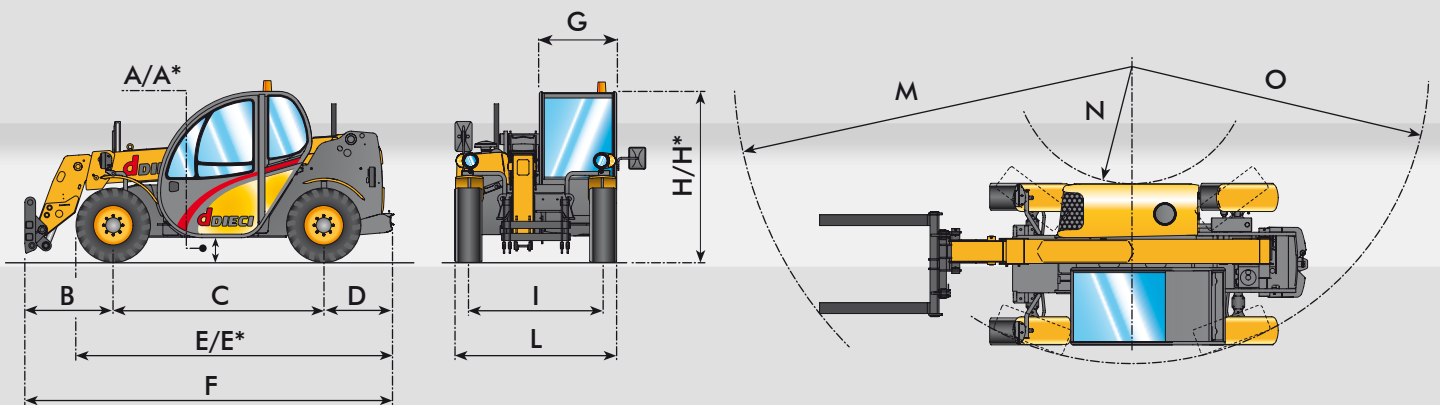
DIMENSIONS

25.6

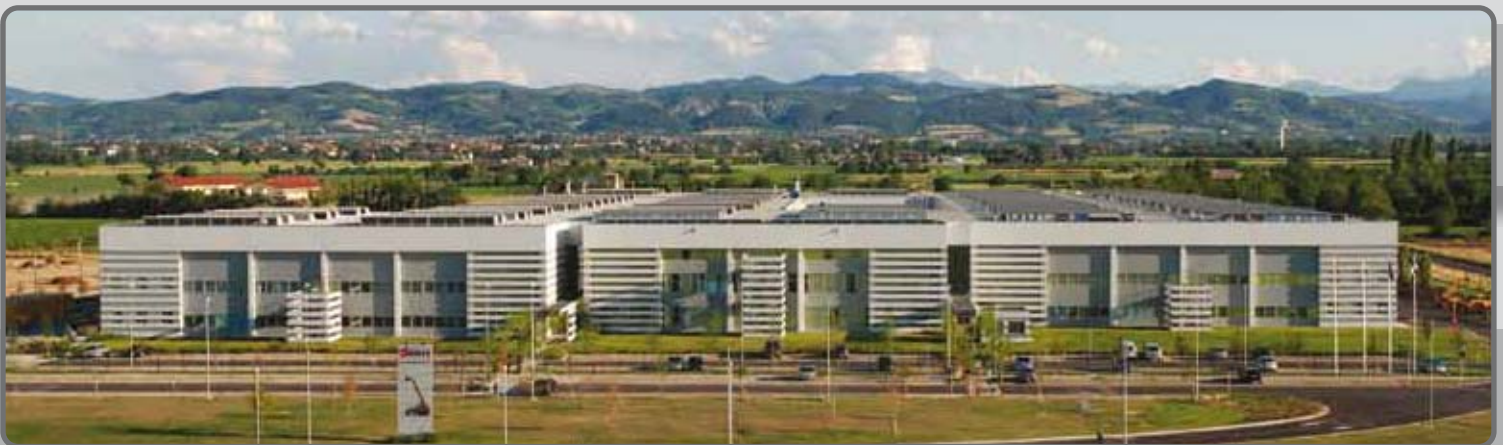
A/A*	270/310*
B	983
C	2350
D	763
E/E*	3530/3580*
F	4100
G	860
H/H*	1950/1990*
I	1500
L	1800
M	4500
N	1400
O	3400

Measurements expressed in millimetres

A* - E* - H* = Measurements referring to optional wheels



A* - E* - H* = Measurements referring to optional wheels



d *macchine edili ed agricole*
DIECI

Via E. Majorana, 2-4 42027 Montecchio Emilia (RE) ITALY

Tel. +39 0522 869611 Fax +39 0522 869791 (comm. le Estero) Fax +39 0522 869604 (comm.le Italia)

www.dieci.com - E-mail: info@dieci.com